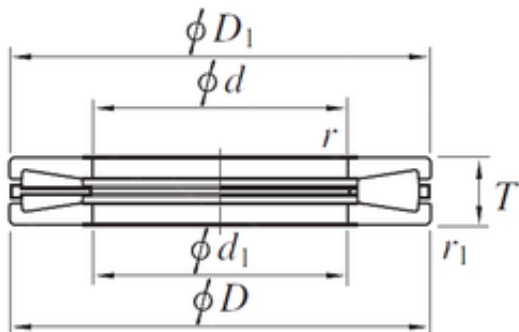




T811 Angular Contact Ball Bearings



Bearing No. T811

Size	203.200x419.100x92.075 mm
Bore Diameter	203.200 mm
Outer Diameter	419.100 mm
Width	92.075 mm
d	203.200 mm
D	419.100 mm
T	92.075 mm
d1	203.200 mm
r min.	9.5 mm
r1 min.	9.5 mm
D1	419.100 mm
Weight	69.0 Kg
Basic dynamic load rating (C)	2 590 kN

T811 Bearing 2D drawings and 3D CAD models